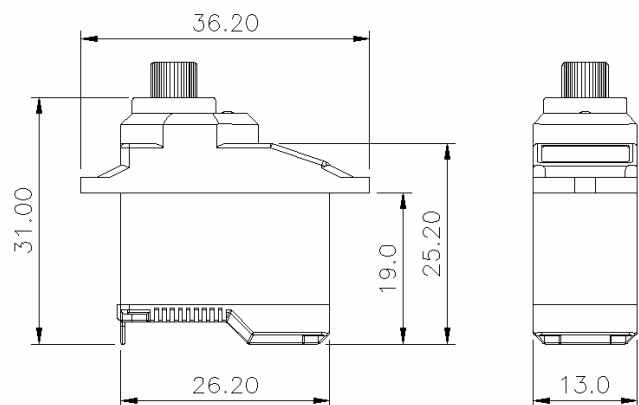
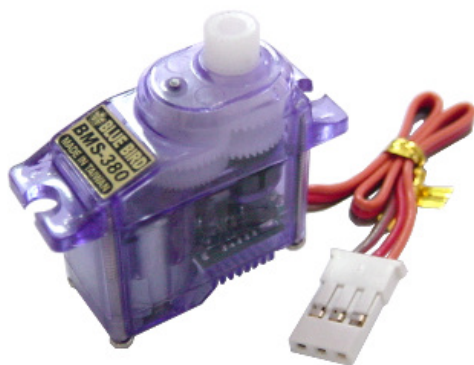


Particular Specification

Item No:	BMS-380
Weight:	13.4grams / 0.49oz.
Size:	26 x 13 x 26 mm / 1.16 x 0.51 x 1.02 inch
Torque At 4.8V:	2.5kg/cm , 35 oz/in
Torque At 6.0V:	
Speed At 4.8V:	0.13sec / 60 deg at no load
Speed At 6.0V:	
Ball Bearing:	Note, Plastic Fixed
Metal Gears:	Note, All of nylon gears
Motor Type:	3 Pole magnetic motor
Operating Voltage Range	3.6V~4.8V
Operating Temperature Range	-20°C to +60°C
Idle Current	5mA at Stopped
Running Current	240mA
Stall Current	680mA
Dead Bend Width	8 usec
Direction	Re-clock wise / pulse traveling 1300 to 1700 usec
Horn Gear Spline	25 Segments / (Same as Futaba)
Connector Wire Length	160mm (6.29in)
Connector Horsing	Universal connector
Wire Info	Brown Wire = Battery Negative Red Wire = Battery Positive Orange Wire = Signal



Unit: mm